

SNIPE CLASS RACING ASSOCIATION

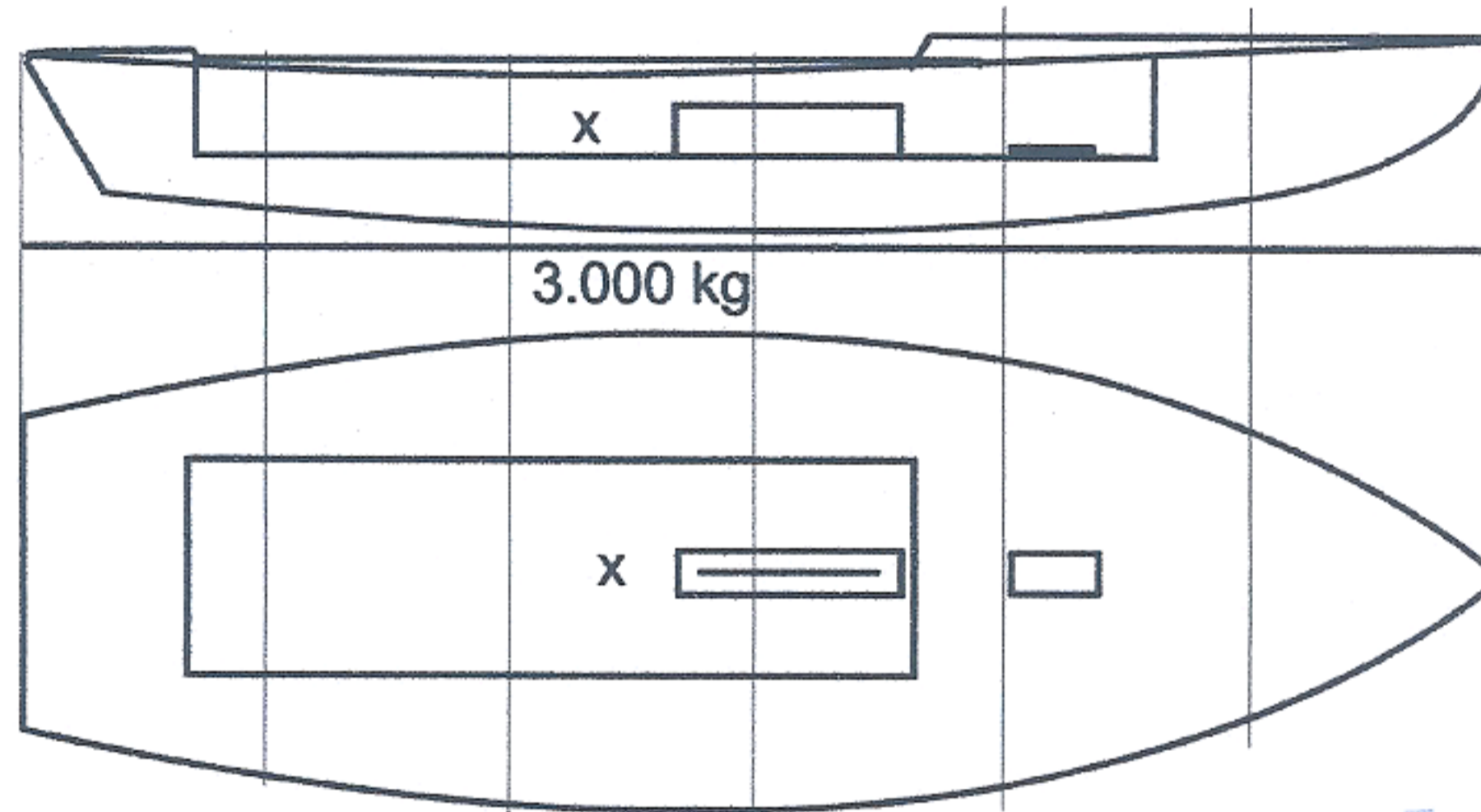
MEASUREMENT DATA SHEET Sheet I- revised January 2009 For boats built after January 1, 2009

HULL NUMBER.....27678..... BUILDER.....Skipper.....Robalo.....
 MODEL.....Skipper..... YEAR.....1989.....
 OWNER.....CNOCA (Rubem / Clara)..... COUNTRY.....Portugal.....

BARE HULL COMPLETE from certified mould INCOMPLETE
 HULL MATERIAL: WOOD FIBERGLASS *make note of*
 DECK MATERIAL: WOOD FIBERGLASS *incomplete items*

| | | | |
|--|---|--|-------------------------------------|
| HULL WEIGHT (MIN 125KG) | <input checked="" type="checkbox"/> | MAST LENGTH (6499MM) (old) | <input checked="" type="checkbox"/> |
| TOTAL WEIGHT (172.8KG) | <input checked="" type="checkbox"/> | Limiting bands & pin | <input checked="" type="checkbox"/> |
| BALLAST (MAX 15KG mark below) | <input checked="" type="checkbox"/> | BOOM LENGTH (2642MM from aft edge of mast) | <input checked="" type="checkbox"/> |
| MOI | <input checked="" type="checkbox"/> | Limiting bands | <input checked="" type="checkbox"/> |
| JIB FITTING (279-330 dist. from pt 0) | <input checked="" type="checkbox"/> | POLE LENGTH (2642MM) | <input checked="" type="checkbox"/> |
| SHROUDS (1778-1981mm dist. from pt. 0) | <input checked="" type="checkbox"/> | RUDDER DIMENSIONS | <input checked="" type="checkbox"/> |
| UPPER GUDGEON (410+/-3MM) | <input type="checkbox"/> N/A | RUDDER WEIGHT (2.72kg) | <input checked="" type="checkbox"/> |
| LOWER GUDGEON (155 +/-3MM) | <input type="checkbox"/> N/A | Fits the Transom (Y/N) | <input checked="" type="checkbox"/> |
| MAST HOLE (1494mm dist. from pt. 0) | <input checked="" type="checkbox"/> | CENTERBOARD DIMENSIONS | <input checked="" type="checkbox"/> |
| TRUNK HEIGHT (310.-0+3MM) | <input checked="" type="checkbox"/> (old) | Band | <input checked="" type="checkbox"/> |
| | | Restraining System & stoppers | <input checked="" type="checkbox"/> |

Mark ballast here



DATE MEASURED.....19.11.2017.....06/07/2021.....

01 SCIRA
MEASURER
PORTUGAL

MEASURER'S SIGNATURE.....Domingos Berraiho.....

MEASURER'S STAMP.....

NOTES: NATIONAL SECRETARY: Pedro Andrade.....

Both pages must be completed and sent to the SCIRA office upon completion of measurement except if hull is from a certified mould.

SCIRA Measurement Check Sheet

To be used with the 80/20 true baseline measurement frame

Owner: CNOCA (Ruben / Clara) Date: 06/07/2021

Hull # 27678 Builder: Skipper Material: F.G.

Chines Height

| Station | Starboard | Port | Total | Allowable Range | Width | Allowable Range |
|---------|-----------|------|-------|-----------------|-------|-----------------|
| 1 | | | | 838-864 | | 527-540 |
| 2 | | | | 724-749 | | 991-1003 |
| 3 | | | | 673-699 | | 1232-1245 |
| 4 | | | | 680-705 | | 1270-1283 |
| 5 | | | | 762-787 | | 1137-1149 |
| Transom | | | | 902-927 | | 952-965 |

Sheer

| Station | Starboard | Port | Total | Allowable Range | Width | Allowable Range |
|---------|-----------|------|-------|-----------------|-------|-----------------|
| 1 | | | | 1499-1549 | | 895-921 |
| 2 | | | | 1391-1441 | | 346-1372 |
| 3 | | | | 1333-1384 | | 1511-1537 |
| 4 | | | | 1321-1372 | | 1473-1499 |
| 5 | | | | 1321-1372 | | 1270-1295 |
| Transom | | | | 1384-1435 | | 1022-1048 |

Keel

| | Height | Width |
|---------|--------|-------|
| 400mm | | |
| 1 | | |
| 2 | | |
| 3 | | |
| 4 | | |
| 5 | | |
| Transom | | |

Rudder

| | |
|-----------|----------|
| Weight | 4.200 kg |
| 2.72kg | |
| Shape | x |
| Thickness | x |
| Lock | x |
| Keel Ext. | x |

Daggerboard

| | |
|------------|---|
| Bottom | x |
| Shape | x |
| Thickness | x |
| Stripe | x |
| Punch mark | x |
| Tapers | x |

Horizontal Transom Offset 203-229 LOA 4711-4737

Weight 172.800 kg Ballast (lead) 3,00 Kg MOI >27.6 28.9

Mast

| | |
|------------------|---------|
| Band loc | x |
| Length <6499mm | x (old) |
| Limiting pin | x |
| Sheer mark | x |
| Weight/bal 9.1kg | x |

Boom

| | |
|---------------------|---|
| Band loc 2559mm | x |
| Limiting pin | x |
| Max Length <2642mm | x |
| Pole length <2642mm | x |

Bow

| | |
|---------------------|--|
| Stem height 683-708 | |
| Bow radius | |

Topside Measurements

| | | | |
|---|-----------|----------------------------|------------------|
| Aft end of Trunk 2438-2464 from stem | x | Length of daggerboard slot | x |
| Top of trunk parallel to baseline | x | Width of daggerboard slot | x |
| Aft edge of trunk perpendicular to baseline | x | Stem to mast partner >1494 | x |
| Keel to top of trunk 310-313 | 264 (old) | Length of foredeck >1842 | x |
| Shroud fitting to stem 1778-1981 | x | Length of aft deck >457 | x |
| Mast step to sheer (vertical) 390-400 | x (old) | Headstay to stem 279-330 | (1° furo OF) 290 |

Measurer Domingos Borralho

MEASURER
PORTUGAL