

# SNIPE CLASS RACING ASSOCIATION

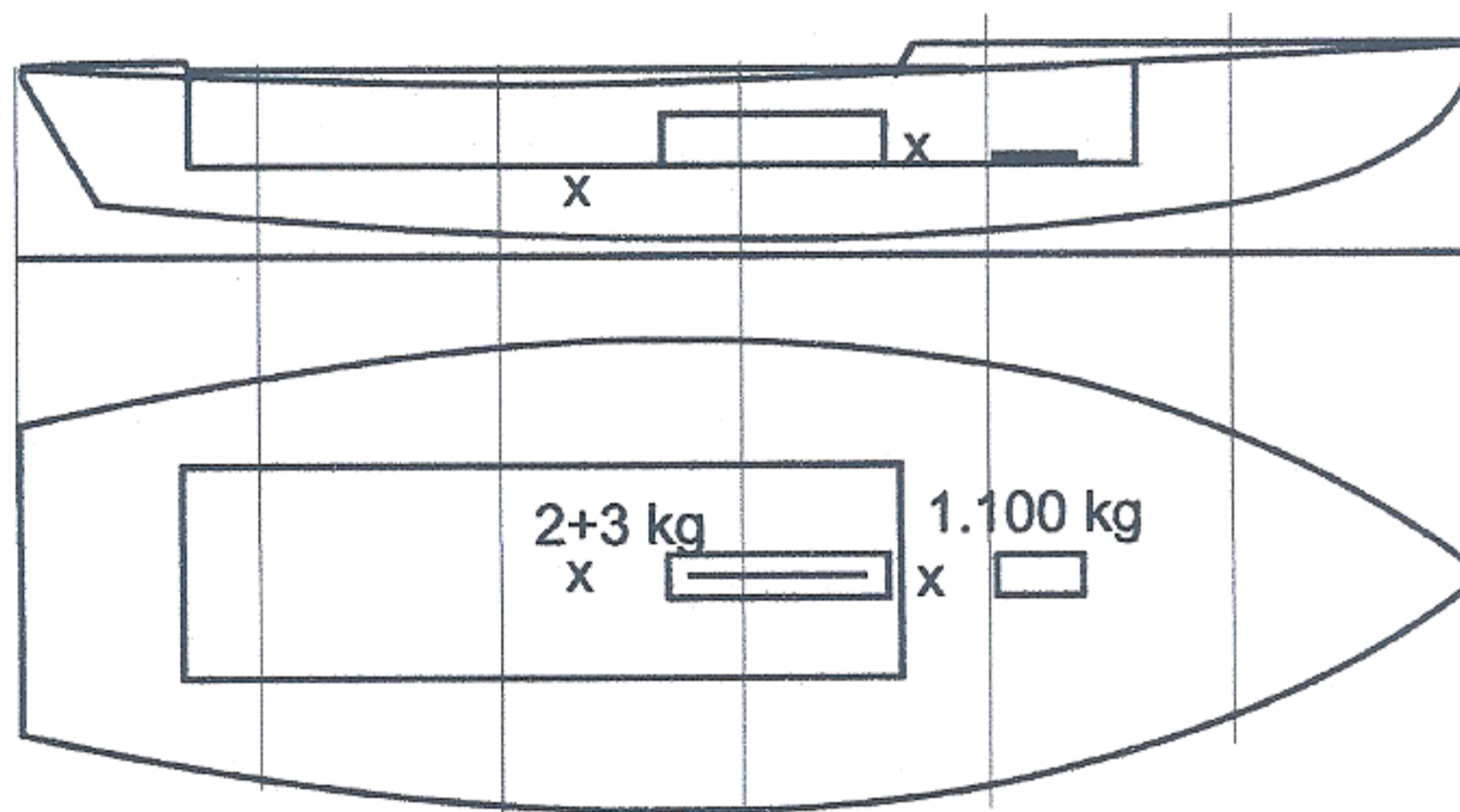
## MEASUREMENT DATA SHEET Sheet I- revised January 2009 For boats built after January 1, 2009

HULL NUMBER.....30144..... BUILDER.....Proto.....  
 MODEL.....Proto..... YEAR.....2003.....  
 OWNER.....Associação Portuguesa Snipe..... COUNTRY.....Portugal.....

BARE HULL  COMPLETE  from certified mould  INCOMPLETE   
 HULL MATERIAL: WOOD  FIBERGLASS  *make note of*  
 DECK MATERIAL: WOOD  FIBERGLASS  *incomplete items*

|  |                                     |  |                                     |
|--|-------------------------------------|--|-------------------------------------|
| HULL WEIGHT (MIN 125KG)                | <input checked="" type="checkbox"/> | MAST LENGTH (6499MM)                       | <input checked="" type="checkbox"/> |
| TOTAL WEIGHT (172.8KG)                 | <input checked="" type="checkbox"/> | Limiting bands & pin                       | <input checked="" type="checkbox"/> |
| BALLAST (MAX 15KG mark below)          | <input checked="" type="checkbox"/> | BOOM LENGTH (2642MM from aft edge of mast) | <input checked="" type="checkbox"/> |
| MOI                                    | <input checked="" type="checkbox"/> | Limiting bands                             | <input checked="" type="checkbox"/> |
| JIB FITTING (279-330 dist. from pt 0)  | <input checked="" type="checkbox"/> | POLE LENGTH (2642MM)                       | <input checked="" type="checkbox"/> |
| SHROUDS (1778-1981mm dist. from pt. 0) | <input checked="" type="checkbox"/> | RUDDER DIMENSIONS                          | <input checked="" type="checkbox"/> |
| UPPER GUDGEON (410+/-3MM)              | <input type="checkbox"/> N/A        | RUDDER WEIGHT (2.72kg)                     | <input checked="" type="checkbox"/> |
| LOWER GUDGEON (155 +/-3MM)             | <input type="checkbox"/> N/A        | Fits the Transom (Y/N)                     | <input checked="" type="checkbox"/> |
| MAST HOLE (1494mm dist. from pt. 0)    | <input checked="" type="checkbox"/> | CENTERBOARD DIMENSIONS                     | <input checked="" type="checkbox"/> |
| TRUNK HEIGHT (310 -0+3MM)              | <input checked="" type="checkbox"/> | Band                                       | <input checked="" type="checkbox"/> |
|  |                                     | Restraining System & stoppers              | <input checked="" type="checkbox"/> |

Mark ballast here



DATE MEASURED.....03/03/2015 10/07/2021.....

**01 SCIRA  
MEASURER  
PORTUGAL**

MEASURER'S SIGNATURE.....Domingos Borrvalho.....

MEASURER'S STAMP.....

NOTES: NATIONAL SECRETARY: Pedro Andrade.....

**Both pages must be completed and sent to the SCIRA office upon completion of measurement except if hull is from a certified mould.**

# SCIRA Measurement Check Sheet

To be used with the 80/20 true baseline measurement frame

Owner: Associação Portuguesa snipe Date: 10/07/2021

Hull # 30144 Builder: Proto Material: F.G.

## Chines Height

| Station | Starboard | Port | Total | Allowable Range | Width | Allowable Range |
|---------|-----------|------|-------|-----------------|-------|-----------------|
| 1       |           |      |       | 838-864         |       | 527-540         |
| 2       |           |      |       | 724-749         |       | 991-1003        |
| 3       |           |      |       | 673-699         |       | 1232-1245       |
| 4       |           |      |       | 680-705         |       | 1270-1283       |
| 5       |           |      |       | 762-787         |       | 1137-1149       |
| Transom |           |      |       | 902-927         |       | 952-965         |

## Sheer

| Station | Starboard | Port | Total | Allowable Range | Width | Allowable Range |
|---------|-----------|------|-------|-----------------|-------|-----------------|
| 1       |           |      |       | 1499-1549       |       | 895-921         |
| 2       |           |      |       | 1391-1441       |       | 346-1372        |
| 3       |           |      |       | 1333-1384       |       | 1511-1537       |
| 4       |           |      |       | 1321-1372       |       | 1473-1499       |
| 5       |           |      |       | 1321-1372       |       | 1270-1295       |
| Transom |           |      |       | 1384-1435       |       | 1022-1048       |

## Keel

|         | Height | Width |
|---------|--------|-------|
| 400mm   |        |       |
| 1       |        |       |
| 2       |        |       |
| 3       |        |       |
| 4       |        |       |
| 5       |        |       |
| Transom |        |       |

## Rudder

|           |          |
|-----------|----------|
| Weight    | 3.700 kg |
| 2.72kg    |          |
| Shape     | x        |
| Thickness | x        |
| Lock      | x        |
| Keel Ext. | x        |

## Daggerboard

|            |   |
|------------|---|
| Bottom     | x |
| Shape      | x |
| Thickness  | x |
| Stripe     | x |
| Punch mark | x |
| Tapers     | x |

Horizontal Transom Offset 203-229 LOA 4711-4737

Weight 172.900 kg Ballast (lead) 6.100 Kg MOI >27.6 27.9

## Mast

|                  |   |
|------------------|---|
| Band loc         | x |
| Length <6499mm   | x |
| Limiting pin     | x |
| Sheer mark       | x |
| Weight/bal 9.1kg | x |

## Boom

|                     |   |
|---------------------|---|
| Band loc 2559mm     | x |
| Limiting pin        | x |
| Max Length <2642mm  | x |
| Pole length <2642mm | x |

## Bow

|                     |  |
|---------------------|--|
| Stem height 683-708 |  |
| Bow radius          |  |

## Topside Measurements

|   |   |                            |   |
|---|---|----------------------------|---|
| Aft end of Trunk 2438-2464 from stem        | x | Length of daggerboard slot | x |
| Top of trunk parallel to baseline           | x | Width of daggerboard slot  | x |
| Aft edge of trunk perpendicular to baseline | x | Stem to mast partner >1494 | x |
| Keel to top of trunk 310-313                | x | Length of foredeck >1842   | x |
| Shroud fitting to stem 1778-1981            | x | Length of aft deck >457    | x |
| Mast step to sheer (vertical) 390-400       | x | Headstay to stem 279-330   | x |

Measurer Domingos Borralho

**SCIRA MEASURER PORTUGAL**