

# SNIPE CLASS RACING ASSOCIATION

30899

## MEASUREMENT DATA SHEET Sheet I- revised January 2009 For boats built after January 1, 2009

HULL NUMBER 30899 BUILDER Okumura

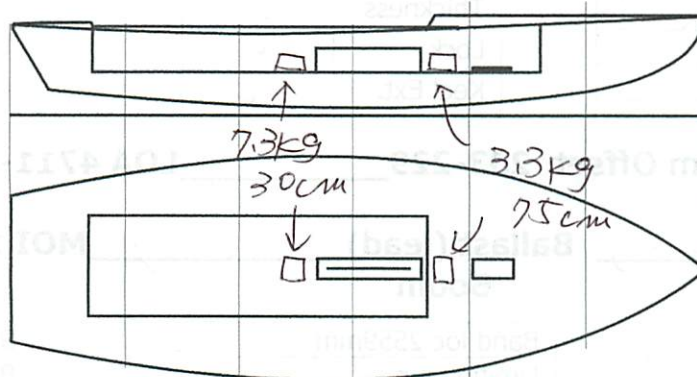
MODEL ..... YEAR 2010

OWNER Kansai Gakuin Univ COUNTRY JAPAN

BARE HULL  COMPLETE  from certified mould  INCOMPLETE   
HULL MATERIAL: WOOD  FIBERGLASS  make note of  
DECK MATERIAL: WOOD  FIBERGLASS  incomplete items

HULL WEIGHT (MIN 125KG)	<input checked="" type="checkbox"/>	MAST LENGTH (6499MM)	<input checked="" type="checkbox"/>
TOTAL WEIGHT (172.8KG)	<input checked="" type="checkbox"/>	Limiting bands & pin	<input checked="" type="checkbox"/>
BALLAST (MAX 15KG mark below)	<input checked="" type="checkbox"/>	BOOM LENGTH (2642MM from aft edge of mast)	<input checked="" type="checkbox"/>
MOI	<input checked="" type="checkbox"/>	Limiting bands	<input checked="" type="checkbox"/>
JIB FITTING (279-330 dist. from pt 0)	<input checked="" type="checkbox"/>	POLE LENGTH (2642MM)	<input checked="" type="checkbox"/>
SHROUDS (1778-1981mm dist. from pt. 0)	<input checked="" type="checkbox"/>	RUDDER DIMENSIONS	<input checked="" type="checkbox"/>
UPPER GUDGEON (410+/-3MM)	<input checked="" type="checkbox"/>	RUDDER WEIGHT (2.72kg)	<input checked="" type="checkbox"/>
LOWER GUDGEON (155 +/-3MM)	<input checked="" type="checkbox"/>	Fits the Transom (Y/N)	<input checked="" type="checkbox"/>
MAST HOLE (1494mm dist. from pt. 0)	<input checked="" type="checkbox"/>	CENTERBOARD DIMENSIONS	<input checked="" type="checkbox"/>
TRUNK HEIGHT (310 -0+3MM)	<input checked="" type="checkbox"/>	Band	<input checked="" type="checkbox"/>
		Restraining System & stoppers	<input checked="" type="checkbox"/>

Mark ballast here



DATE MEASURED August 20, 2010

MEASURER'S SIGNATURE NOBUHIKO KUDARA

MEASURER'S STAMP **01 SCIRA MEASUREP JAPAN**

NOTES:

**Both pages must be completed and sent to the SCIRA office upon completion of measurement except if hull is from a certified mould.**

# SCIRA Measurement Check Sheet

To be used with the 80/20 true baseline measurement frame

Owner: Kansai Gakuin University Date: 2010.8.20

Hull # 30899 Builder: Okumura Material: F.G

## Chines Height

Station	Starboard	Port	Total	Allowable Range	Width	Allowable Range
1				838-864		527-540
2	) OK			724-749	) OK	991-1003
3				673-699		1232-1245
4				680-705		1270-1283
5				762-787		1137-1149
Transom						902-927

## Sheer

Station	Starboard	Port	Total	Allowable Range	Width	Allowable Range
1				1499-1549		895-921
2	) OK			1391-1441	) OK	346-1372
3				1333-1384		1511-1537
4				1321-1372		1473-1499
5				1321-1372		1270-1295
Transom						1384-1435

## Keel

	Height	Width
400mm	) OK	
1		
2		
3		
4		
5		
Transom		

## Rudder

Weight	✓
2.72kg	
Shape	✓
Thickness	✓
Lock	✓
Keel Ext.	✓

## Daggerboard

Bottom	✓
Shape	✓
Thickness	✓
Stripe	✓
Punch mark	✓
Tapers	✓

Horizontal Transom Offset 203-229 LOA 4711-4737

Weight 172.8 kg Ballast (lead) 10.6 kg MOI >27.6 200

## Mast

Band loc	✓
Length <6499mm	✓
Limiting pin	✓
Sheer mark	✓
Weight/bal 9.1kg	✓

## Boom

Band loc 2559mm	✓
Limiting pin	✓
Max Length <2642mm	✓
Pole length <2642mm	✓

## Bow

Stem height 683-708	✓
Bow radius	✓

## Topside Measurements

Aft end of Trunk 2438-2464 from stem	✓	Length of daggerboard slot	✓
Top of trunk parallel to baseline	✓	Width of daggerboard slot	✓
Aft edge of trunk perpendicular to baseline	✓	Stem to mast partner >1494	✓
Keel to top of trunk 310-313	✓	Length of foredeck >1842	✓
Shroud fitting to stem 1778-1981	✓	Length of aft deck >457	✓
Mast step to sheer (vertical) 390-400	✓	Headstay to stem 279-330	✓

Measurer NOBUHIKO KUDARO

SCIRA  
MEASUREP  
JAPAN

(第七号様式)

# 計測証明書

登録番号 No. **30899**

新規計測・秤計機\*

- 所有者 氏名 関西学院大学  
住所 西宮市上ヶ原1-1-155
- 建造者 氏名 オクムラポート販売(株)  
住所 姫路市的形町の形2013

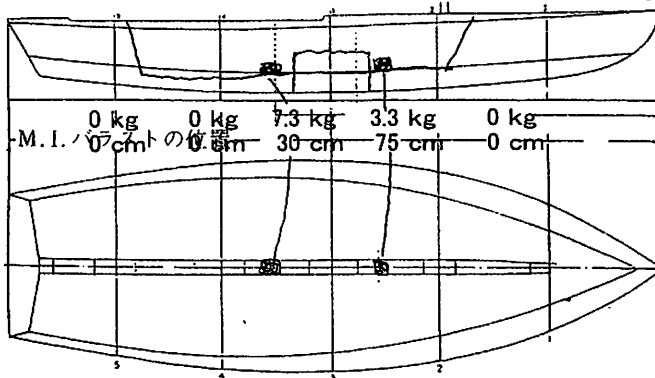
上記は本協会登録計測証であることを証明する。

日本スナイプ協会  
計測年月日 10年 08月 20日

計測員 奥村 雅晴  
署名



材質 鉛 重量 172.8 kg バラスト 100 kg



備考 モーメント I = 200  
 スプリング係数 = 16.2600 (25回=64.0秒)  
 実測値 25回 = 64.0 秒

新規計測と再計測のどちらかを消す。  
再計測証明書は、新規計測書に重ねて綴る。

計測証明書の再発行 (移籍、紛失)

年 月 日 発行者氏名

