

# SNIFE CLASS RACING ASSOCIATION

## MEASUREMENT DATA SHEET

Sheet I- revised January 2009

For boats built after January 1, 2009

**31234**

HULL NUMBER 31234 BUILDER OKUMURA

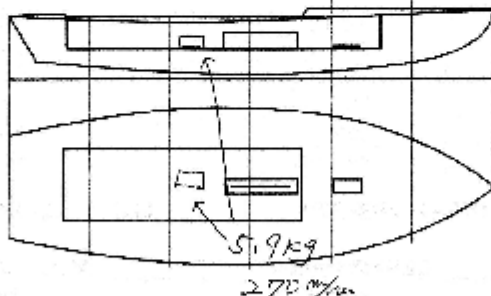
MODEL \_\_\_\_\_ YEAR 2014

OWNER Tokai Univ. Yacht Club COUNTRY JAPAN

BARE HULL  COMPLETE  from certified mould  INCOMPLETE   
 HULL MATERIAL: WOOD  FIBERGLASS  make note of  
 DECK MATERIAL: WOOD  FIBERGLASS  incomplete items

HULL WEIGHT (MIN 125KG)	<input checked="" type="checkbox"/>	MAST LENGTH (6499MM)	<input checked="" type="checkbox"/>
TOTAL WEIGHT (172.8KG)	<input checked="" type="checkbox"/>	Limiting bands & pin	<input checked="" type="checkbox"/>
BALLAST (MAX 15KG mark below)	<input checked="" type="checkbox"/>	BOOM LENGTH (2642MM from aft edge of mast)	<input checked="" type="checkbox"/>
MOI	<input checked="" type="checkbox"/>	Limiting bands	<input checked="" type="checkbox"/>
JIB FITTING (279-330 dist. from pt. 0)	<input checked="" type="checkbox"/>	POLE LENGTH (2642MM)	<input checked="" type="checkbox"/>
SHROUDS (1778-1981mm dist. from pt. 0)	<input checked="" type="checkbox"/>	RUDDER DIMENSIONS	<input checked="" type="checkbox"/>
UPPER GUDGEON (41.0 +/- 3MM)	<input checked="" type="checkbox"/>	RUDDER WEIGHT (2.72kg)	<input checked="" type="checkbox"/>
LOWER GUDGEON (155 +/- 3MM)	<input checked="" type="checkbox"/>	Fits the Transom (Y/N)	<input checked="" type="checkbox"/>
MAST HOLE (249mm dist. from pt. 0)	<input checked="" type="checkbox"/>	CENTERBOARD DIMENSIONS	<input checked="" type="checkbox"/>
TRUNK HEIGHT (310 -0/+3MM)	<input checked="" type="checkbox"/>	Band	<input checked="" type="checkbox"/>
		Restraining System & stoppers	<input checked="" type="checkbox"/>

Mark ballast here



DATE MEASURED 8.19.2014

MEASURER'S SIGNATURE NORUHIKO KUDARA

MEASURER'S STAMP \_\_\_\_\_

NOTES:

**Both pages must be completed and sent to the SCIRA office upon completion of measurement except if hull is from a certified mould.**

# SCIRA Measurement Check Sheet

To be used with the 80/20 true baseline measurement frame

Owner: Tohoku Univ. Yacht Club Date: 8.19.2017

Hull # 31234 Builder: OKamura Material: FRP

Station	Starboard	Port	Total	Allowable Range	Width	Allowable Range
1				838-864		527-540
2				724-749		991-1003
3				673-609		1232-1245
4		OK		680-705	OK	1270-1283
5				762-787		1137-1149
Transom				902-927		952-965

Station	Starboard	Port	Total	Allowable Range	Width	Allowable Range
1				1499-1549		895-921
2				1391-1441		346-1372
3				1333-1384		1511-1537
4		OK		1321-1372	OK	1473-1499
5				1321-1372		1270-1295
Transom				1384-1435		1022-1048

Station	Height	Width
400mm		
1		
2		
3		OK
4		
5		
Transom		

Item	Result
Weight	
2.72kg	✓
Shape	✓
Thickness	✓
Lock	✓
Keel Ext.	✓

Item	Result
Bottom	✓
Shape	✓
Thickness	✓
Stripe	✓
Punch mark	✓
Tapers	✓

Horizontal Transom Offset 203-229 OK LOA 4711-4737 OK

Weight 172.8kg Ballast (lead) 5.9kg MOI >27.6 200

Item	Result
Band loc	✓
Length <6499mm	✓
Limiting pin	✓
Sheer mark	✓
Weight/bal 9.1kg	✓

Item	Result
Band loc 2559mm	✓
Limiting pin	✓
Max Length <2642mm	✓
Polc length <2642mm	✓

Item	Result
Stem height 683-706	✓
Bow radius	✓

## Topside Measurements

All end of Trunk 2438-2464 from stem	✓	Length of daggerboard slot	✓
Top of trunk parallel to baseline	✓	Width of daggerboard slot	✓
All edge of trunk perpendicular to baseline	✓	Stem to mast partner >1494	✓
Keel to top of trunk 310-313	✓	Length of foredeck >1442	✓
Ground fitting to stem 1728-1981	✓	Length of aft deck >457	✓
Mast step to sheer (vertical) 399-400	✓	Headstay to stem 279-231	✓

Measurer NOBUHIKO KUDARA

(第七号様式)

# 計測証明書

登録番号 No. 31234

新規計測・再計測

- 1. 所有者 氏名 東北大学  
住所 仙台市青葉区片平2-1-1
- 2. 建造者 氏名 オクムラポート販売(株)  
住所 姫路市の形町の形2013

上記は本協会登録計測証であることを証明する。

日本スナイプ協会

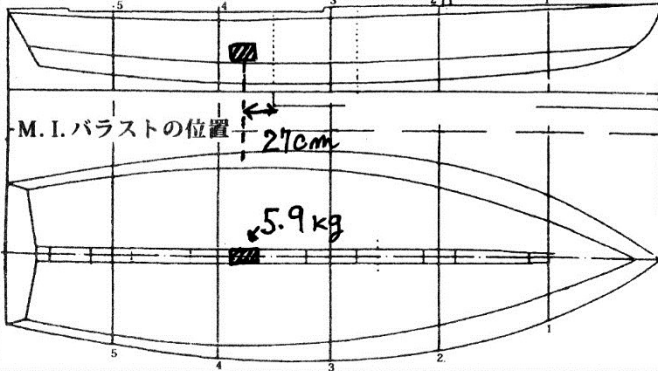
計測年月日 2014年 8月 19日

計測員

署名 奥村雅晴



材質 鉛 重量 172.8 kg バラスト 5.9 kg



備考 モーメント I = 200  
 スプリング後数 = 16,2600 (25回 = 64.0秒)  
 実測値 25回 = 64.0秒

計測証明書の再発行 (移籍、紛失)

年 月 日 発行者氏名



新規計測と再計測のどちらかを消す。  
再計測証明書は、新規計測書に重ねて綴る。