

SNIFE CLASS RACING ASSOCIATION

MEASUREMENT DATA SHEET

Revised January 2017

For boats built or modified after January 1, 2017

HULL NUMBER	31451	BUILDER	ZELTIC
MODEL	ZELTIC	YEAR OF MANUFACTURE	2017
OWNER		COUNTRY	SPAIN

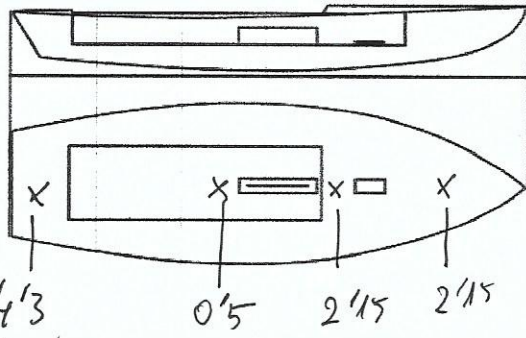
BARE HULL	<input type="checkbox"/>	COMPLETE	<input checked="" type="checkbox"/>	INCOMPLETE	<input type="checkbox"/>
HULL MATERIAL: WOOD	<input type="checkbox"/>	FIBERGLASS	<input checked="" type="checkbox"/>	make note of	
DECK MATERIAL: WOOD	<input type="checkbox"/>	FIBERGLASS	<input checked="" type="checkbox"/>	incomplete items	
FROM CERTIFIED MOULD	<input checked="" type="checkbox"/>				

HULL WEIGHT (min 125kg)	133'0	MAST LENGTH (max 6499mm)	6499
TOTAL WEIGHT (min 172.8kg)	172'8	Limiting marks & pin	OK
CORRECTOR WEIGHTS (max 15kg)	8	Corrector weights (max 100gr)	None
MOI (UTM · m ²)	27'63	BOOM LENGTH (max 2642mm)	2641
Spring #	124	Limiting marks & pin	OK
JIB FITTING (279-300mm hor. From Hull Datum Point)	OK	POLE LENGTH (max 2642mm)	2642
max 45mm vert. above sheerline)		RUDDER DIMENSIONS	OK
SHROUDS (1778-1981mm from HDP)	1778	Weight (min. 2.72kg)	2'9
MAST HOLE (min 1494-mm from HDP)	1494	Corrector weight (max 250g)	None
UPPER GUDGEON (410 +/-3mm)	412	Parallel to transom (tolerance 2mm)	OK
LOWER GUDGEON (155 +/-3mm)	153	DAGGERBOARD DIMENSIONS	OK
GUDGEONS DIAMETER (8-8,5mm)	8'1	Band	OK
		Safety line (max 600mm long)	600
		Restraining system	OK

Needs 11mm plate at front

Insert the actual measurement in the cells marked as

Mark ballast position and amount below



DATE MEASURED 9/Jul/2017 MEASURER'S STAMP

MEASURER'S NAME Fernando Tajuelo

03 SCIRA MEASURER SPAIN

NOTES: MoI measured at Jr World Champ. 2nd Aso 2017 by Pepe Perez

Snipe Class International Racing Association