

SNIFE CLASS RACING ASSOCIATION

MEASUREMENT DATA SHEET FOR CERTIFIED BOATS

Revised February 2019

This page to be used for all boats. For measurements in *Italic* refer to the Class Rules

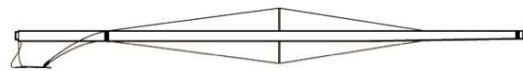
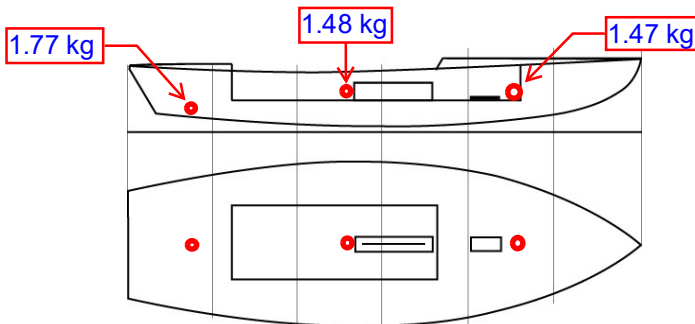
| | | | |
|-------------|---------------------|---------------------|--------|
| HULL NUMBER | 31645 | BUILDER | Zeltic |
| MODEL | Zeltic | YEAR OF MANUFACTURE | 2020 |
| OWNER | Guiomar Bonilla Paz | COUNTRY | ESP |

| | | | | | |
|----------------------|-------------------------------------|----------------------------------|-------------------------------------|------------------|--------------------------|
| BARE HULL | <input type="checkbox"/> | COMPLETE | <input checked="" type="checkbox"/> | INCOMPLETE | <input type="checkbox"/> |
| HULL MATERIAL: WOOD | <input type="checkbox"/> | FIBERGLASS | <input checked="" type="checkbox"/> | make note of | |
| DECK MATERIAL: WOOD | <input type="checkbox"/> | FIBERGLASS | <input checked="" type="checkbox"/> | incomplete items | |
| FROM CERTIFIED MOULD | <input checked="" type="checkbox"/> | filling the cells with NO | | | |

| | | | |
|--|-------------------------|--------------------------------------|-------|
| HULL WEIGHT (min 125kg) | 136.5 | MAST LENGTH (Rules C.9.2, F.3.4) | 6499 |
| TOTAL WEIGHT (min 172.8kg) | 172.8 | Limiting marks & pin | OK |
| CORRECTOR WEIGHTS (max 15kg) | 4.72 | Corrector weights (max 100gr) | 0 |
| MOI | kg·m ² 271.2 | BOOM LENGTH (max 2642mm) | 2585 |
| Spring set # | 130 | Limiting marks & pin | OK |
| JIB FITTING | 281/OK | POLE LENGTH (max 2642mm) | 2642 |
| (279-330mm hor. From Hull Datum Point) | | RUDDER DIMENSIONS | OK |
| max 45mm vert. above sheerline) | | Weight (min. 2.72kg) | 3.083 |
| SHROUDS (1778-1981mm from HDP) | 1778 | Corrector weights (Rule C.8.5) | 0 |
| MAST HOLE (min 1494-mm from HDP) | 1494 | Parallel to transom (tolerance 2mm) | OK |
| UPPER GUDGEON (Rule D.2.3) | 412 | DAGGERBOARD DIMENSIONS | OK |
| LOWER GUDGEON (Rule D.2.3) | 156 | Band | OK |
| GUDGEONS DIAMETER (Rule D.2.3) | 8.1 | Safety line (max 610mm long) | 610 |
| | | Restraining system (hooks or tablet) | OK |

Insert the **actual** measurement in the cells marked as

Mark corrector weights position and amount below. Data to be copied on the Official Snipe Label



DATE MEASURED 31st May 2020 MEASURER'S STAMP

MEASURER'S NAME Fernando Tajuelo Gil

NOTES:
Complies mast hole distance with a 11 mm thick plate at the front of moulded mast hole.

Fernando Tajuelo Gil

03 SCIRA MEASURER SPAIN