

# SNIFE CLASS RACING ASSOCIATION

## MEASUREMENT DATA SHEET FOR CERTIFIED BOATS

Revised February 2019

This page to be used for all boats. For measurements in *Italic* refer to the Class Rules

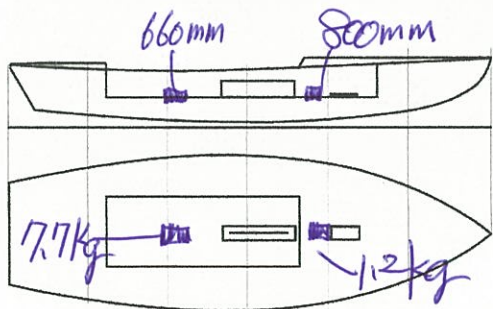
HULL NUMBER	31660	BUILDER	Tsujiido
MODEL	Tsujiido	YEAR OF MANUFACTURE	2020
OWNER	Kyoto UNIV.	COUNTRY	Japan

BARE HULL	<input type="checkbox"/>	COMPLETE	<input checked="" type="checkbox"/>	INCOMPLETE	<input type="checkbox"/>
HULL MATERIAL: WOOD	<input type="checkbox"/>	FIBERGLASS	<input checked="" type="checkbox"/>	make note of	
DECK MATERIAL: WOOD	<input type="checkbox"/>	FIBERGLASS	<input checked="" type="checkbox"/>	incomplete items	
				filling the cells with <b>NO</b>	
FROM CERTIFIED MOULD	<input type="checkbox"/>				

HULL WEIGHT (min 125kg)	125.35	MAST LENGTH (Rules C.9.2, F.3.4)	6499
TOTAL WEIGHT (min 172.8kg)	172.8	Limiting marks & pin	<input checked="" type="checkbox"/>
CORRECTOR WEIGHTS (max 15kg)	8.9	Corrector weighths (max 100gr)	<input checked="" type="checkbox"/>
MOI	271	BOOM LENGTH (max 2642mm)	2640
Spring set #	#95	Limiting marks & pin	<input checked="" type="checkbox"/>
JIB FITTING	286	POLE LENGTH (max 2642mm)	2641
(279-330mm hor. From Hull Datum Point)		RUDDER DIMENSIONS	<input checked="" type="checkbox"/>
max 45mm vert. above sheerline)		Weight (min. 2.72kg)	3.55
SHROUDS (1778-1981mm from HDP)	1781	Corrector weighths (Rule C.8.5)	0
MAST HOLE (min 1494-mm from HDP)	1498	Parallel to transom (tolerance 2mm)	<input checked="" type="checkbox"/>
UPPER GUDGEON (Rule D.2.3)	411	DAGGERBOARD DIMENSIONS	<input checked="" type="checkbox"/>
LOWER GUDGEON (Rule D.2.3)	155	Band	<input checked="" type="checkbox"/>
GUDGEONS DIAMETER (Rule D.2.3)	8	Safety line (max 610mm long)	<input checked="" type="checkbox"/>
		Restraining system (hooks or tablet)	<input checked="" type="checkbox"/>

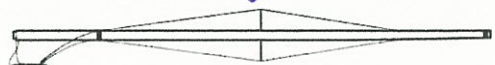
Insert the **actual** measurement in the cells marked as

Mark corrector weights position and amount below. Data to be copied on the Official Snipe Label



MAST: Factory zero

BOOM: Factory zero



**04** SCIRA  
MEASURER  
JAPAN

DATE MEASURED 10-Sep-2020 MEASURER'S STAMP

MEASURER'S NAME Kuniko Yamada  
NOTES: